

## DISC VALVES



EDV  
SDV

Exhaust Air Disc Valve  
Supply Air Disc Valve



**FAISAL JASSIM INDUSTRIES (L.L.C.)**

P. O. Box: 1871 Dubai, U.A.E.

Tel: +971 4 2582640

Fax: +971 4 2582641

E-mail: [flowtech@fjtco.com](mailto:flowtech@fjtco.com)

Website: [www.faisaljassim.ae](http://www.faisaljassim.ae)

[www.flowtechind.com](http://www.flowtechind.com)

**EXHAUST AIR DISC VALVES (EDV)**



Exhaust Air Disc Valve (EDV)

**Product Features:**

- Circular exhaust air valves.
- Steel construction.
- Center core adjustable by screw and nut for air volume control.
- The outer body is fitted with a foam - rubber gasket to form an airtight seal with the mounting ring.

**Finish:**

White epoxy oven-dried coat.

**Fixing:**

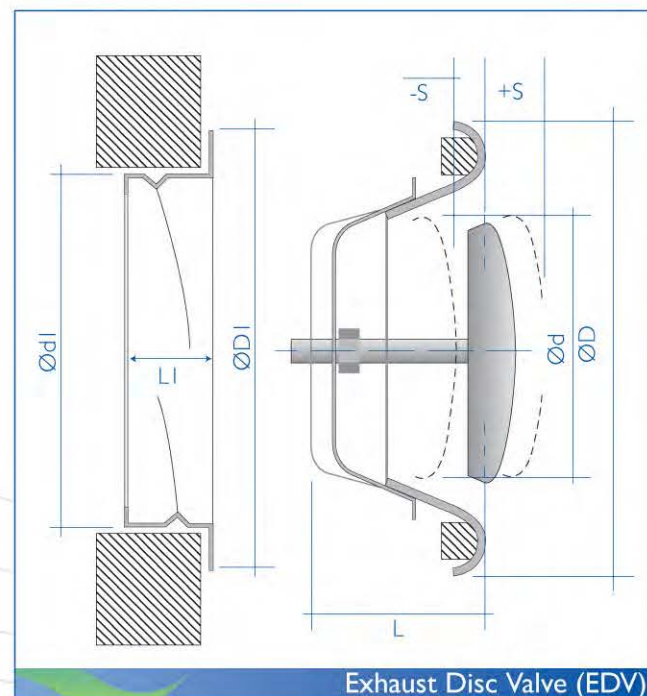
Galvanized steel mounting ring with screw holes.

**Available sizes:**

ØN	D	d	L	DI	dI	LI
100	140	72	37	125	100	51
150	220	120	55	175	147	51
200	251	157	67	225	200	51

ØN = Normal Size

Also available upon request of ØN150mm nominal size



Exhaust Disc Valve (EDV)

**SUPPLY AIR DISC VALVES (SDV)**



Supply Air Disc Valves (SDV)

**Product Features:**

- Circular supply air valves.
- Steel construction.
- Center core adjustable by screw and nut for air volume control.
- The outer body is fitted with a foam - rubber gasket to form an airtight seal with the mounting ring.

**Available sizes:**

ØN	D	d	L	DI	dI	LI
100	140	72	37	125	100	51
150	220	120	55	175	147	51
200	251	157	67	225	200	51

ØN = Normal Size

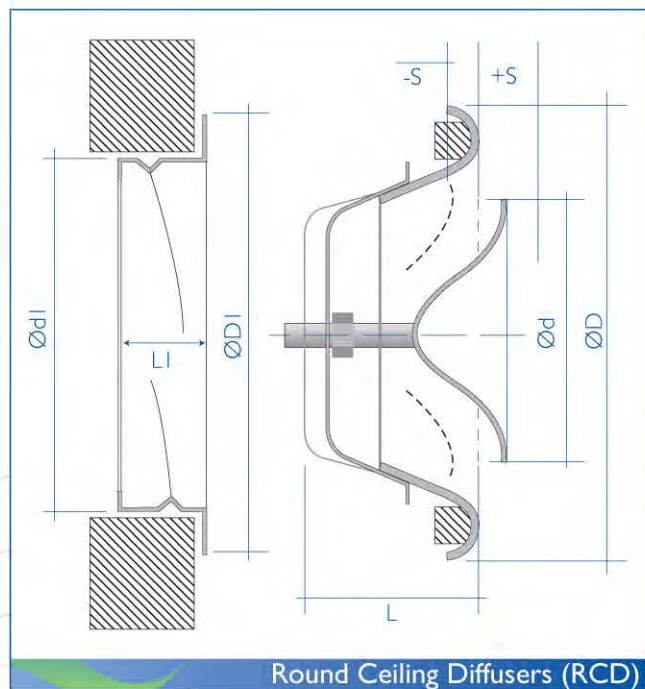
Also available upon request of ØN150mm nominal size

**Finish:**

White epoxy oven-dried coat.

**Fixing:**

Galvanized steel mounting ring with screw holes.

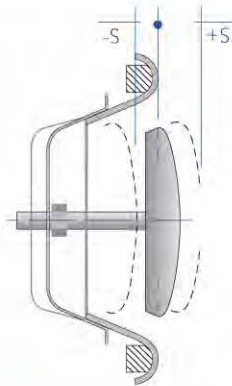


Round Ceiling Diffusers (RCD)

**SELECTION CHART**

Circular Air Valves EDV and SDV

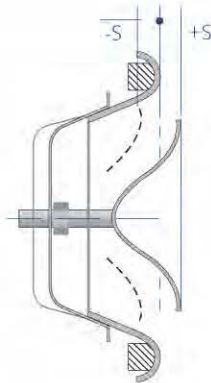
Exhaust air valves.  
Steel construction.



	Ø nominal (N)					Air Flow								
	80	100	125	160	200	Q <sub>v</sub> (m³/h)	20	40	60	80	100	150	200	300
S = opening in mm	-9					ΔP <sub>t</sub> (pa) NC	90							
	-6	-9				ΔP <sub>t</sub> (pa) NC	45	170						
	-3	-6	-12			ΔP <sub>t</sub> (pa) NC	20	80	200	300				
	0	0		-12	-20	ΔP <sub>t</sub> (pa) NC	10	50	120	200				
	+6		-6			ΔP <sub>t</sub> (pa) NC		30	70	120	200			
	+9	+6				ΔP <sub>t</sub> (pa) NC		20	40	80	130			
			0		-15	ΔP <sub>t</sub> (pa) NC		15	30	60	80	200		
		+12	+6			ΔP <sub>t</sub> (pa) NC		10	20	40	60	150		
				0		ΔP <sub>t</sub> (pa) NC			15	25	40	90	170	
			+12	+6		ΔP <sub>t</sub> (pa) NC				15	25	60	100	220
				+12	0	ΔP <sub>t</sub> (pa) NC					15	30	60	150

Exhaust Air Disc Valve (EDV)

Supply air valves.  
Steel construction.



	Ø nominal (N)					Air Flow								
	80	100	125	160	200	Q <sub>v</sub> (m³/h)	40	60	80	100	150	200	300	400
S = opening in mm	+3					ΔP <sub>t</sub> (Pa) L <sub>t</sub> (m) NC	90	200						
		0				ΔP <sub>t</sub> (Pa) L <sub>t</sub> (m) NC	50	120	200					
	+6		-3	-6	-6	ΔP <sub>t</sub> (Pa) L <sub>t</sub> (m) NC	30	75	130	200				
		+3				ΔP <sub>t</sub> (Pa) L <sub>t</sub> (m) NC	20	45	80	130				
			0	-3	-3	ΔP <sub>t</sub> (Pa) L <sub>t</sub> (m) NC	13	30	60	85	200			
	+12	+6				ΔP <sub>t</sub> (Pa) L <sub>t</sub> (m) NC	8	22	40	60	150			
				0	0	ΔP <sub>t</sub> (Pa) L <sub>t</sub> (m) NC		15	30	45	100	200		
	+12					ΔP <sub>t</sub> (Pa) L <sub>t</sub> (m) NC		12	22	35	80	150		
			+6	+6		ΔP <sub>t</sub> (Pa) L <sub>t</sub> (m) NC			15	25	60	100		
			+12	+6		ΔP <sub>t</sub> (Pa) L <sub>t</sub> (m) NC				13	30	60	130	
				+12	+12	ΔP <sub>t</sub> (Pa) L <sub>t</sub> (m) NC				0.80	1.20	1.70	2.50	
					+12	ΔP <sub>t</sub> (Pa) L <sub>t</sub> (m) NC				5	20	35	80	150
					+15	ΔP <sub>t</sub> (Pa) L <sub>t</sub> (m) NC				12	22	45	90	
					+20	ΔP <sub>t</sub> (Pa) L <sub>t</sub> (m) NC					0.90	1.30	1.90	2.70

Supply Air Disc Valve (SDV)